

# TOTO®

# MS604114CUF(R)(G)

## UltraMax® II 1G® One-Piece Toilet, 1.0 GPF

### FEATURES

- Tornado Flush™ system, ultra high-efficiency (1.0GPF/3.8LPF)
- CEFIONTECT® ceramic glaze minimizes waste from sticking to porous ceramic surfaces
- Universal Height
- Decorative one-piece design with high-profile tank
- Chrome trip lever
- Elongated front bowl with SoftClose® seat (SS114)
- 12" rough-in

### MODELS

- MS604114CUFG  
With CEFIONTECT ceramic glaze, SS114 SoftClose seat included (#01, #03, #11, #12)
- MS604114CUFRG  
Same as above with right-hand trip lever (#01)
- MS604114CUF  
Without CEFIONTECT, SS114 SoftClose seat included (#51)

### COLORS/FINISHES

- #01 Cotton
- #03 Bone
- #11 Colonial White
- #12 Sedona Beige
- #51 Ebony

### PRODUCT SPECIFICATION

The one-piece ultra high-efficiency Tornado Flush flushing system toilet shall be 1.0GPF/3.8LPF. Toilet shall have CEFIONTECT ceramic glaze and be at Universal Height. Toilet shall have high-profile tank, elongated front bowl with SoftClose seat and Chrome trip lever. Toilet shall be TOTO Model MS604114CUFG.



**1G One Gallon Per Flush**

**CEFIONTECT**

**Tornado Flush**

### CODES/STANDARDS

- Meets and exceeds ASME A112.19.2/CSA B45.1
- Certifications: IAPMO(cUPC), EPA Watersense, State of Massachusetts, City of Los Angeles, and others
- Code compliance: UPC, IPC, NSPC, NPC Canada, and others
- Legislative Compliance: California AB715, CALGreen Title 24, City of Los Angeles Water Efficiency Ordinance, California Energy Commission Standards
- ADA compliant (when installed with trip lever located on the approach side)
- Complies with CA Prop 65 warning requirements



# MS604114CUF(R)(G)

## UltraMax® II 1G® One-Piece Toilet, 1.0 GPF

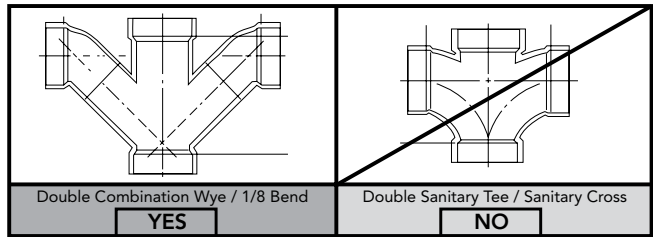
### SPECIFICATIONS

- Water Use 1.0 GPF/3.8LPF
- Flush System Tornado Flush™
- Min. Water Pressure 8 psi (static)
- Water Surface 7-1/8" x 9-1/8"
- Trap Diameter 2-1/8"
- Rough-in 12"
- Trap Seal 2-1/8"
- Warranty One Year Limited Warranty
- Material Vitreous china
- Shipping Weight 99 lbs.
- Shipping Dimensions 32" L x 20" W x 17-3/4" H<sup>1</sup> x 28-3/4" H<sup>2</sup>

### INSTALLATION NOTES

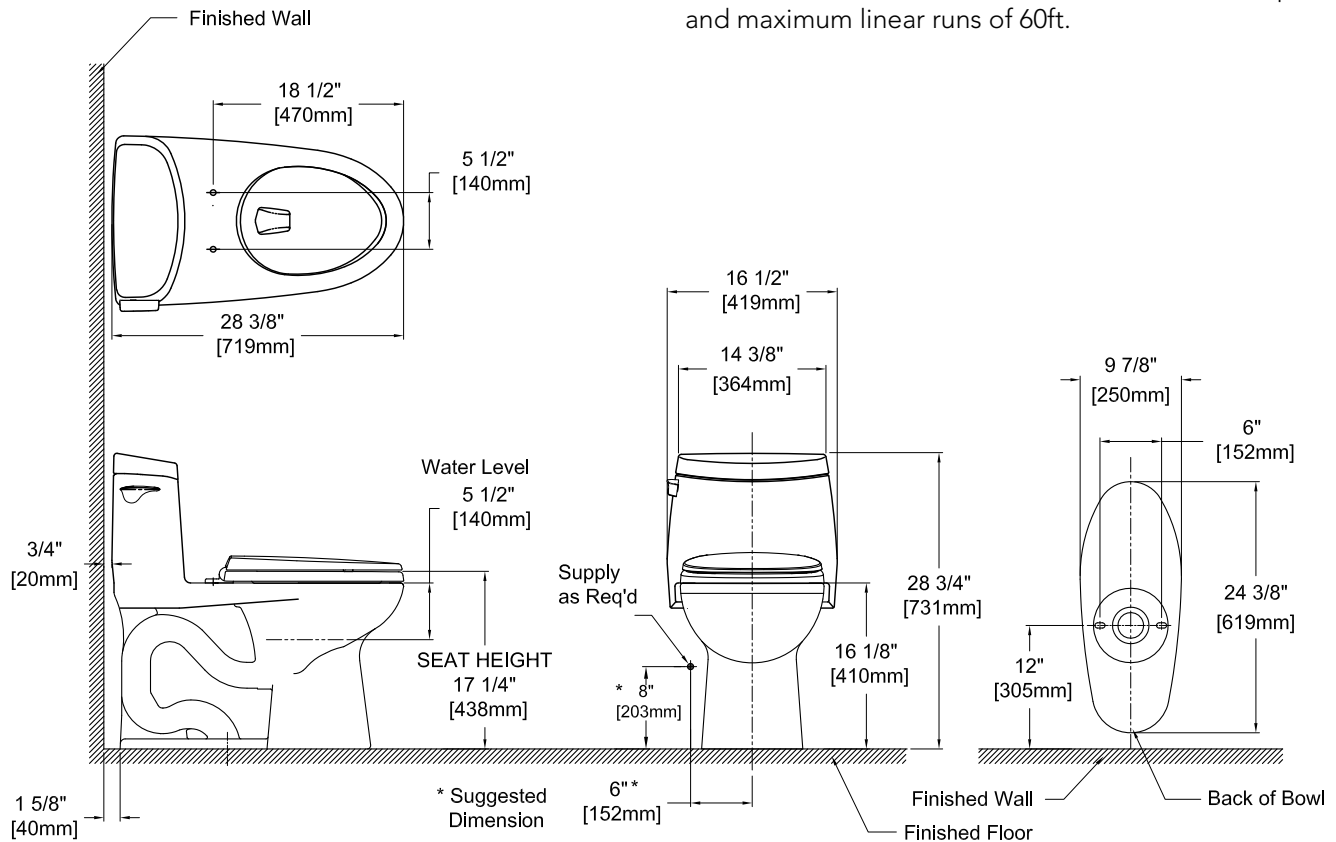
#### Back-to-Back Toilet Installations:

TOTO recommends the use of a nationally listed, double sanitary tee-wye only, in vertical waste stacks, in accordance with the stipulations noted in the majority of nationally recognized plumbing codes.



To maintain adequate wall gap between the back of the tank and wall, mount the floor flange at a nominal 12" rough-in distance.

Ultra-low high efficiency toilets require a system with adequate supplemental flows from other water usage fixtures and a 4" ID drainline with minimum 2% slope and maximum linear runs of 60ft.



**TOTO**

*These dimensions and specifications are subject to change without notice*